

EWVO

WORLD CLASS SOLAR MODULES

72 Cells
Polycrystalline
Module

320-335 W
Power Output Range

16.5-17.2%
Maximum Efficiency

0~+5w
Power Tolerance



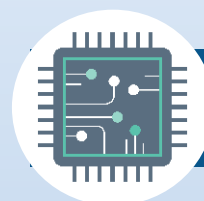
ROBOTIC PLANT

PRODUCT WARRANTY
12
Years
PRODUCT WARRANTY

PERFORMANCE WARRANTY
30
Years
PERFORMANCE WARRANTY



WORLD CLASS PRODUCTS



FULLY AUTOMATED ADVANCED SOLAR PLANT

100%

100% A GRADE CELLS ONLY



EVERY MODULE DOUBLE TESTED & CHECKED



PRODUCTION BASE IN VIETNAM



NO COMPROMISE ON QUALITY



CE

IEC





WORLD CLASS SOLAR MODULES

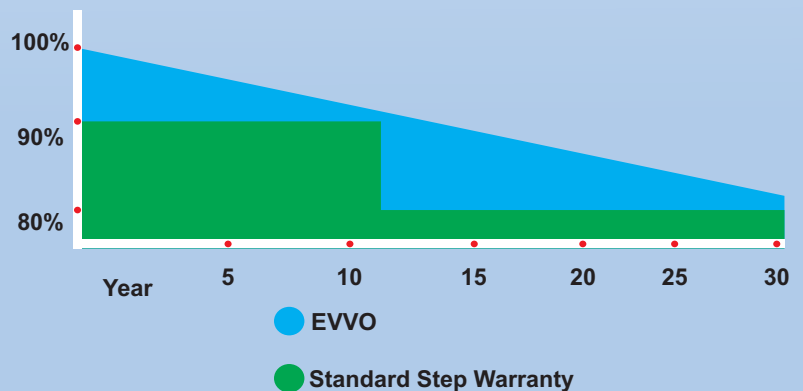
PRODUCT SPECIFICATIONS



- **DEAL FOR LARGE SCALE INSTALLATIONS**
 - High power footprint reduces installation time and BOS costs
 - 1500V UL/1500V IEC certified
- **ONE OF THE INDUSTRY'S MOST TRUSTED MODULES**
 - Field proven performance
 - Strong, reliable supplier
- **HIGHLY RELIABLE DUE TO STRINGENT QUALITY CONTROL**
 - Over 30 in-house tests (UV, TC, HF, and many more)
 - In-house testing goes well beyond certification requirements
 - 100% EL double inspection
- **CERTIFIED TO WITH STAND CHALLENGING ENVIRONMENTAL CONDITIONS**
 - 2400 Pa wind load
 - 5400 Pa wind load
 - 35 mm hail stones at 97 km/h
 - PID resistant

LINEAR PERFORMANCE WARRANTY

12 Year Product Warranty
30 year Linear Power Warranty



Electrical Specifications (standard test conditions)

Maximum Power -P _{MAX} (Wp)	320	325	330	335
Power Tolerance -P _{MAX} (W)	0 ~ +5%			
Maximum power point of operating voltage -P _{MPP} (V)	37.1	37.2	37.4	37.6
Maximum power point of operating current) -I _{MPP} (A)	8.63	8.73	8.83	8.91
Open circuit voltage -V _{oc} (V)*	45.5	45.6	45.8	46.0
Short circuit current - I _M (A)	9.15	9.19	9.28	9.35
Module Efficiency η_m (%)	16.5	16.7	17.0	17.2

Standard test conditions under Measured Value:(air quality AM1.5, Irradiance 1000W / m², cell temperature 25 °C)

Maximum Power -P _{MAX} (Wp)	237	241	245	249
Maximum power point of operating voltage -P _{MPP} (V)	34.3	34.4	34.6	34.8
Maximum power point of operating current) -I _{MPP} (A)	6.92	7.00	7.08	7.14
Open circuit voltage -V _{oc} (V)*	42.1	42.2	42.4	42.6
Short circuit current - I _M (A)	7.39	7.42	7.49	7.55

NOCT: Irradiance 800W / m², ambient temperature of 20 °C, wind speed 1m / s

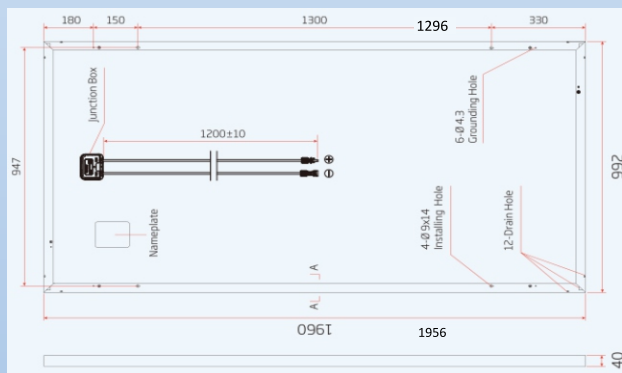
Temperature Rating

Limit parameter

Nominal Operating Cell Temperature (NOCT)	44°C (±2°C)	Working Temperature	40~+85°C
Maximum power (P _{MAX}) Temperature Coefficient	- 0.41%/°C	Maximum system voltage	1500V DC (IEC)
Open-circuit voltage (VOC) Temperature Coefficient	- 0.32%/°C		1500V DC
Short circuit current (ISC) Temperature Coefficient	0.05%/°C	Maximum fuse rated Current	15A

Mechanical Specifications

Solar cell Type	156.75mm ×156.75mm Poly -crystalline
Number of Cells	1 module 72pieces (6 ×12)
Dimensions	1956 ×992 ×40 mm
Weight	22.5kg-26kg(galss:3.2mm/4.0mm)
Glass	3.2/4.0mm, High transparency, anti-reflective coatings toughened glass
Backsheet	White/black
Frame	Silver, anodized aluminum
Junction Box	Protection level
Cable	4.0 mm ² , 1200 mm Photovoltaic dedicated cables
Connector	MC4 compatible



P72 Module Packing

Name	Dimensions(mm)	Weight(kg)
Pallet	1995*1120*145mm	25
Carton Box(26pcs)	1992*1114*1000mm	12
Carton Box (2pcs)	1975*1000*90mm	2.5

Maximum stacking height of P72 Module Packing : 26 pcs per box allow stacking of the same 26 pcs box , Plus 2 boxes per box 2pcs ;

26 pcs single pallet dimension height : 1145mm Weight : 713KG

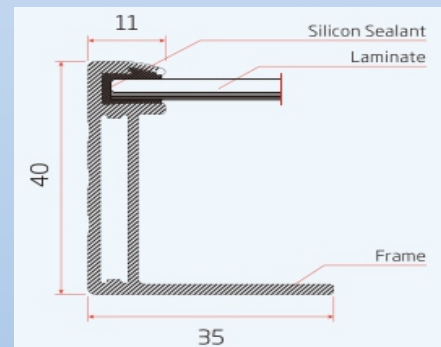
Height of 2 pallet stacking 2 pallet per box 2pcs : 2470mm Weight : 1510KG

Packaging Method

Modules per box: 26 pcs

Modules per 40 ft container: 624 pcs

* Installation depends on the mechanical load



Authorized Dealer

Registered Office :

Commercial Centre,
27 Hillier Street, Sheung Wan,
Hong Kong,Asia.

Contact : +91 7338821798
E-Mail : info@evvosolar.com
Skype : evvosolar

Manufacturing Unit :

Tien Son Industrial Zone,
Hoan Son Commune,
Tien Du District, Bac Ninh

E-Mail :
vietnam@evvosolar.com

Global Sales Office :

Sidco Industrial Estate,
Ambattur, Chennai - 600053
India.

Contact : +91 7338821798
E-Mail : sales@evvosolar.com
Skype : evvosolar

